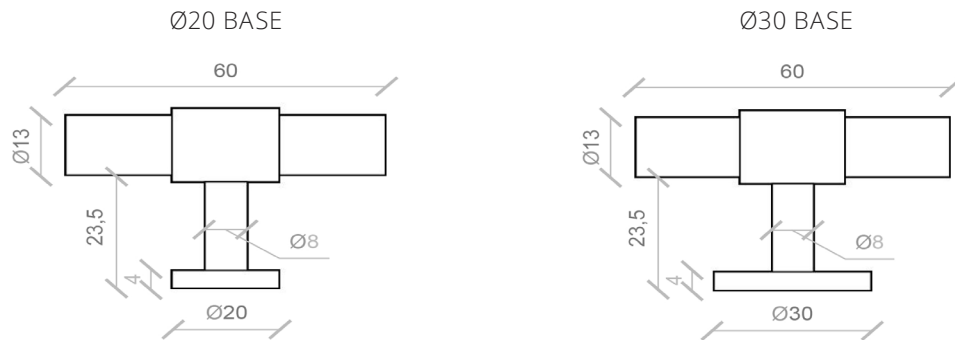


TECHNICAL SPECIFICATIONS

CATEGORY: PULLBARS

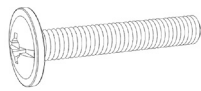
MODEL: THE CENTER / 60 mm

TECHNICAL DRAWINGS (units in mm)



ALSO INCLUDED

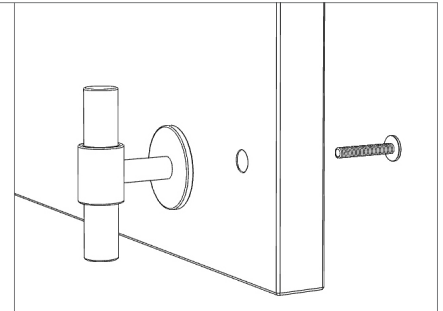
1 x M4 x 25mm screw
(fits doors and drawers
of max 20mm*)



* For thicker doors/fronets you will need to source longer M4 screws.

Please note that the handle is fitted from behind cabinet door and can not be front face fitted.

If you wish to use the handle as a hook you will need to source a dual thread screw with M4 thread for the handle.



BEARING MATERIALS



1 2 3 4 5 6

1. Anthracite (ANT) 2. Burnished Brass (BB) 3. Polished Brass (PB) 4. Satin Brass (SB) 5. Polished Nickel (PN) 6. Satin Nickel (SN)

HANDLEBAR MATERIALS Ø13 mm



1 2 3 4 5 6 7 8 9 10

1. Anthracite (ANT) 2. Burnished Brass (BB) 3. Polished Brass (PB) 4. Satin Brass (SB) 5. Polished Nickel (PN) 6. Satin Nickel (SN)
7. Teak (TE) 8. Oak (OA) 9. Wenge (WE) 10. Black Horn (BH)

PRODUCT CARE

Our products are handmade and from natural materials thus variations may occur. It is part of the uniqueness of BRANDT COLLECTIVE's products. Aging is a part of the natural process, therefore please handle and maintain your product with care. Wipe with a damp cloth and do not use any chemicals.