

TECHNICAL SPECIFICATIONS

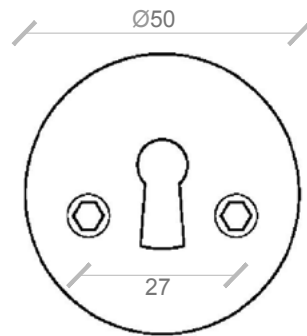
CATEGORY: DOOR HANDLES

MODEL: THE KEYHOLE CLASSIC

PRODUCT CARE

Our products are handmade and from natural materials thus variations may occur. It is part of the uniqueness of BRANDT COLLECTIVE's products. Aging is a part of the natural process, therefore please handle and maintain your product with care. Wipe with a damp cloth and do not use any chemicals.

TECHNICAL DRAWINGS (Units in mm)



This key escutcheon is suitable for Euro Cylinder and available in two different fittings sizes (screw distance) depending on your installation country – 27mm & 35mm.

BEARING MATERIALS



1

2

3

4

5

1. Burnished Brass (BB) 2. Polished Brass (PB) 3. Satin Brass (SB) 4. Polished Nickel (PN) 5. Satin Nickel (SN)